

Product: STORAGE UNITS

Rationalising the space, organising archives, conserving records on paper, store equipment or personal accessories: today office furniture must serve a great variety of purposes. The good old file cabinet is no longer sufficient, due to the extremely rapid evolution of the information technology instruments which have been part of the contemporary office for years. *File Wood* is highly appreciated due to the refined surfaces.

The original design of the door becomes a distinctive feature in the complex geography of sins that make up a modern office. All storage units are equipped with lock. Filing units are equipped with standard "curved" handle. Curved handle available on request for storage units with hinged doors.



TECHNICAL FEATURES

Structure: chipboard panels available in Melamine.

Top - filing cabinets fronts: chipboard panels available in Melamine, Sablè lacquered, Veneer.

Doors: chipboard panels available in Melamine, Sablè lacquered, Veneer or Glass.

Glazed doors have a frame in the same finish of the storage unit structure, and etched glazed.

FINISHES

Structure:

Melamine: UE White, Silver, Titanio.

Top - filing cabinets fronts:

Melamine: UE White, Silver, Titanio, Delavè, Comfort, White Snow, Magnolia, Oak 2017, Eucalyptus, White Colour Fir.

Sablè lacquered, available in different sample collection colours.

Veneer: Magnolia, Colour White Fir, Nuvola stained Oak, Natural Oak 2016, American Walnut, Eucalyptus, Wengè, Zebrano Brown, Ebano.

Doors:

Melamine: see top finishes.

Sablè lacquered, available in different sample collection colours.

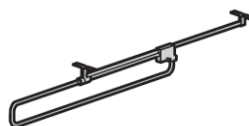
Veneer : see top finishes.

Back-lacquered etched glass: White, Silver, Titanio, Brown, Alfa Red.

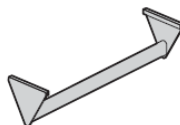
ACCESSORIES



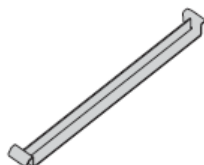
Archetto handle.



Coat hanger for Melamine shelves.

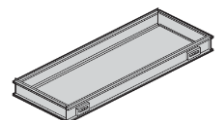
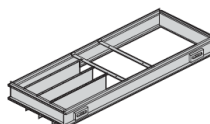


Coat hanger for metal shelves.



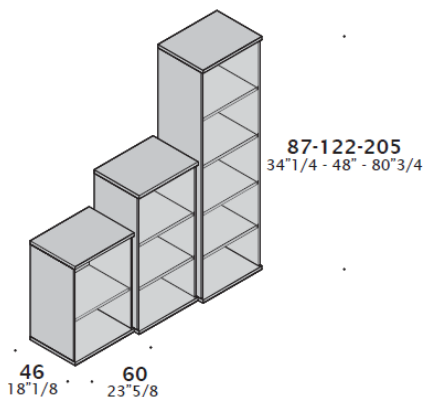
Universal filing holder slide bar.

Filing cabinet and pull-out drawer.

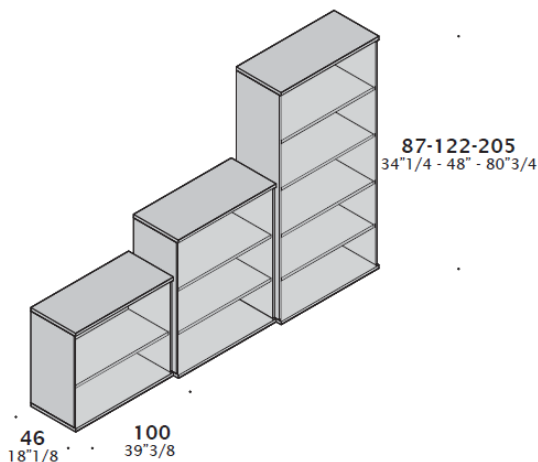


DIMENSIONS

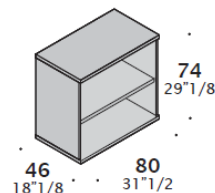
Open front storage units.



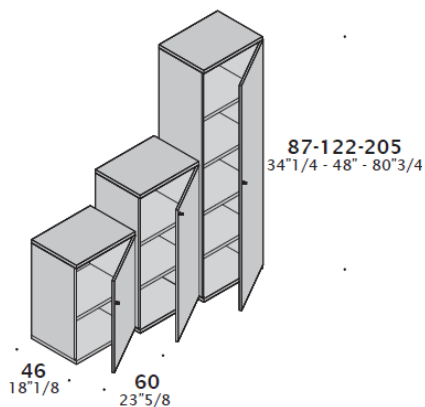
W60 and D46 available with all high options.



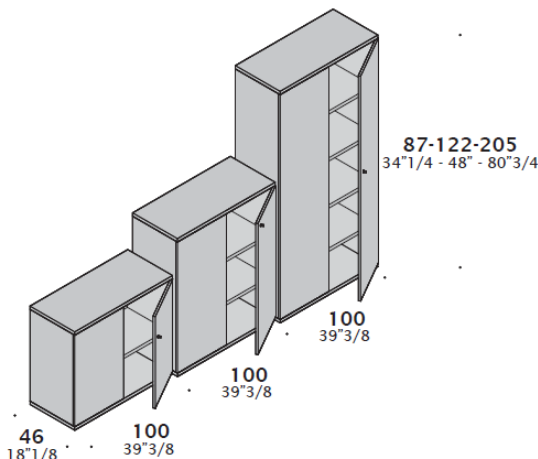
W100 and D46 available with all high options.



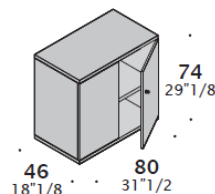
Hinged doors storage units.



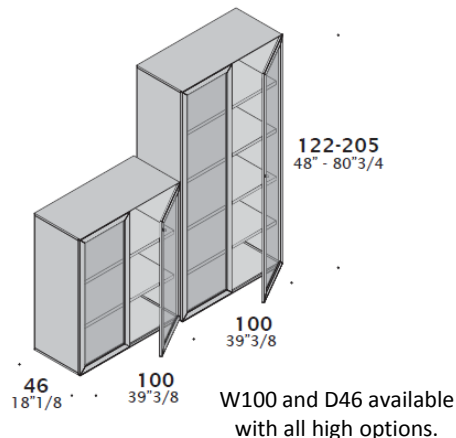
W60 and D46 available with all high options.



W100 and D46 available with all high options.

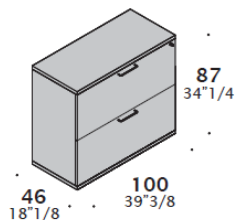


Glazed hinged doors storage units.



Filing unit.

The drawer cabinet is equipped with a universal filing holder slide bar (US/UE).



Upper section open or with hinged door.
(open version not available in Vener).

